

## Omni-ID<sup>®</sup> Exo 1000

Omni-ID Exo 1000 is a long read range passive UHF RFID tag capable of reading on, off, and near metal surfaces. Designed in a surprisingly small form factor, the Omni-ID Exo 1000 features a slightly less rugged design than the Exo 800, but with the benefit of a long read range of 10 meters and a lower cost. New to the Exo 1000 is a customization option for a transparent tag that provides full protection for printing within the tag case.

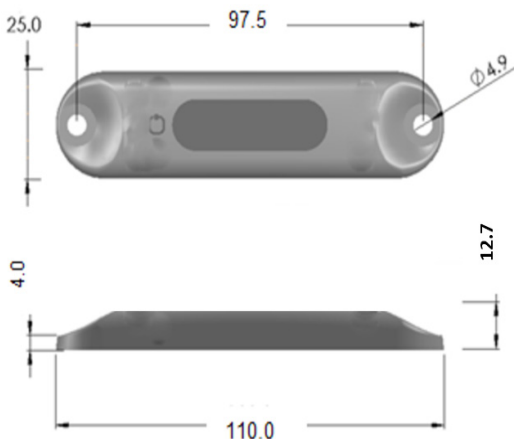
### Applications

With a high read range, outstanding performance and durable service bureau options, the Omni-ID Exo 1000 is ideally suited to:

- ▶ Manufacturing tote tracking
- ▶ Logistics and postal
- ▶ Automotive & retail supply chain

### Physical Specifications

Encasement	ABS Rigid Plastic
Size (mm)	110 x 25.0 x 12.7
Size (in)	4.33 x 0.98 x 0.50
Weight (g)	18.27



Dimensions stated in mm  
Note: Grey tag and Transparent tag are the same size

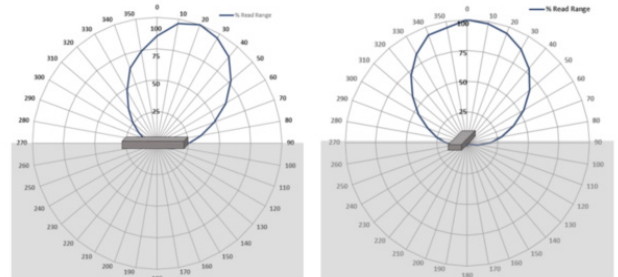
### RF Specifications

Protocol	EPC Class 1 Gen2v2
Frequency Range (MHz)	860-930 (GS)
Read Range (Fixed reader) <sup>1</sup>	Up to 10.0m (on metal) Up to 10.0m (off metal)
Read Range (Handheld reader) <sup>1</sup>	Up to 8.0m (on metal) Up to 8.0m (off metal)
Material Compatibility	Optimized for Metal
IC Type (chip)	Impinj Monza 4QT
Memory <sup>2</sup>	EPC - 128bit User - 512bits Unique TID - 48bits

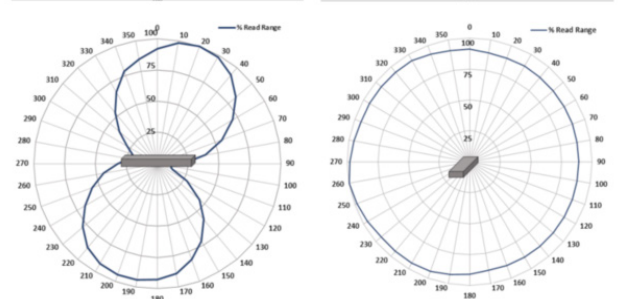
1. Quoted performance achieved using standard testing methodology. Read range will vary with reader hardware and output power.  
2. EPC and User memory are reprogrammable, UTID is locked at point of manufacture.

### Radiation Patterns

On Metal



Off Metal



## Related Products and Services

- ▶ **Omni-ID Exo 400** - Small RFID tag with rugged encapsulation, capable of surviving temperatures to 235 °C.
- ▶ **Omni-ID Exo 600** - High performance, global RFID tag designed to meet the diverse needs of logistics industries.
- ▶ **Omni-ID Exo 800** - Long range passive UHF RFID tag capable of reading on, off and near metal surfaces.
- ▶ **Service Bureau** - Omni-ID offers a full service bureau for printing and pre-encoding Omni-ID tags at point of manufacture.



## Environmental Specifications

Storage Temperature<sup>1</sup>  
 Standard Grey<sup>2</sup>            -40 ° to +85 °C  
 Transparent option        -40 ° to +70 °C

Operation Temperature<sup>1</sup>  
 Standard Grey<sup>2</sup>            -40 ° to +85 °C  
 Transparent option        -40 ° to +70 °C

Survivability<sup>1</sup>  
 Standard Grey<sup>2</sup>            -40 ° to +85 °C  
 Transparent option        -40 ° to +70 °C

IP Rating                        IP68

Shock and Vibration        MIL STD 810-G

Impact<sup>3</sup>                        3kg from 1m

Attachment                    Mechanical (std)  
 Premium Foam (option)

Certifications                RoHS approved  
 CE approved  
 ATEX/IECEX certified (option)  
 US&Canada (C1D1/D2) certified (option)

Warranty                        3 years



## Ordering Information

Order Code                    162 - GS

Option Code                    :303 (Customization)  
 :304 (ATEX/IECEX certified)  
 :307 (US&Canada (C1D1/D2) certified)  
 :332 (Transparent case)  
 :508 (Premium foam)  
 :701 (Standard Service Bureau)



Transparent tags offer protection to product marking, MOQ 10k (:332)

<sup>1</sup> Excludes adhesive options, consult adhesive data sheets for recommended temperature ratings.

<sup>2</sup> Prolonged exposure to temperatures over 70°C may result in minor dimensional change to the case, attachment by rivets instead of adhesive is recommended.

<sup>3</sup> Testing methodology available on request

Authorized Reseller:  
 RFID4UStore

**RFID4u**  
 Store  
[www.rfid4ustore.com](http://www.rfid4ustore.com)  
 1-408-739-3500  
[sales@rfid4ustore.com](mailto:sales@rfid4ustore.com)

Omni-ID office locations: US | UK | China | India | Germany  
 For product or technology inquiries email: [sales@omni-id.com](mailto:sales@omni-id.com)